

Specifications

Video IF/RF Switching:
SPDT

Video IF/RF Isolation:
>65 dB @ 55 MHz
>52dB @ 750 MHz

Video IF/RF Return Loss:
>26 dB to 65 MHz typ.
>18 dB @ 750 MHz

Video IF/RF Contact Rating:
1 Watt Maximum

Video IF/RF Connectors:
BNC 75Ω

Un-Connected Input:
Terminated in 75Ω

Balanced Stereo Audio Switching:
4 DPDT

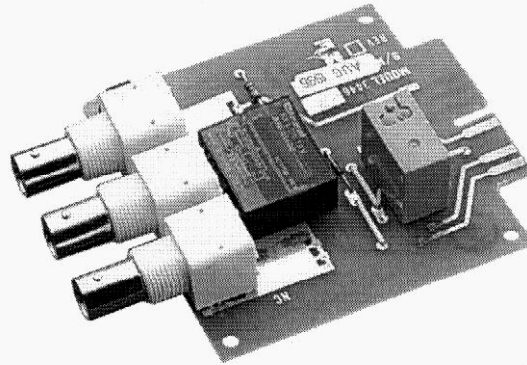
Audio Contact Rating:
30VDC @ 1A

Power Requirements:
+12 VDC @ 50 mA

Physical:
4:H x 3"W x .6"D

Applications

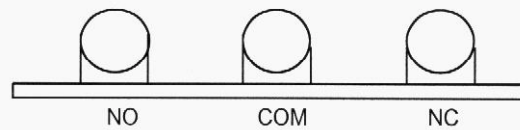
- **Non-Duplication Switching**
- **Blackout Switching**
- **Routing SAwitching**



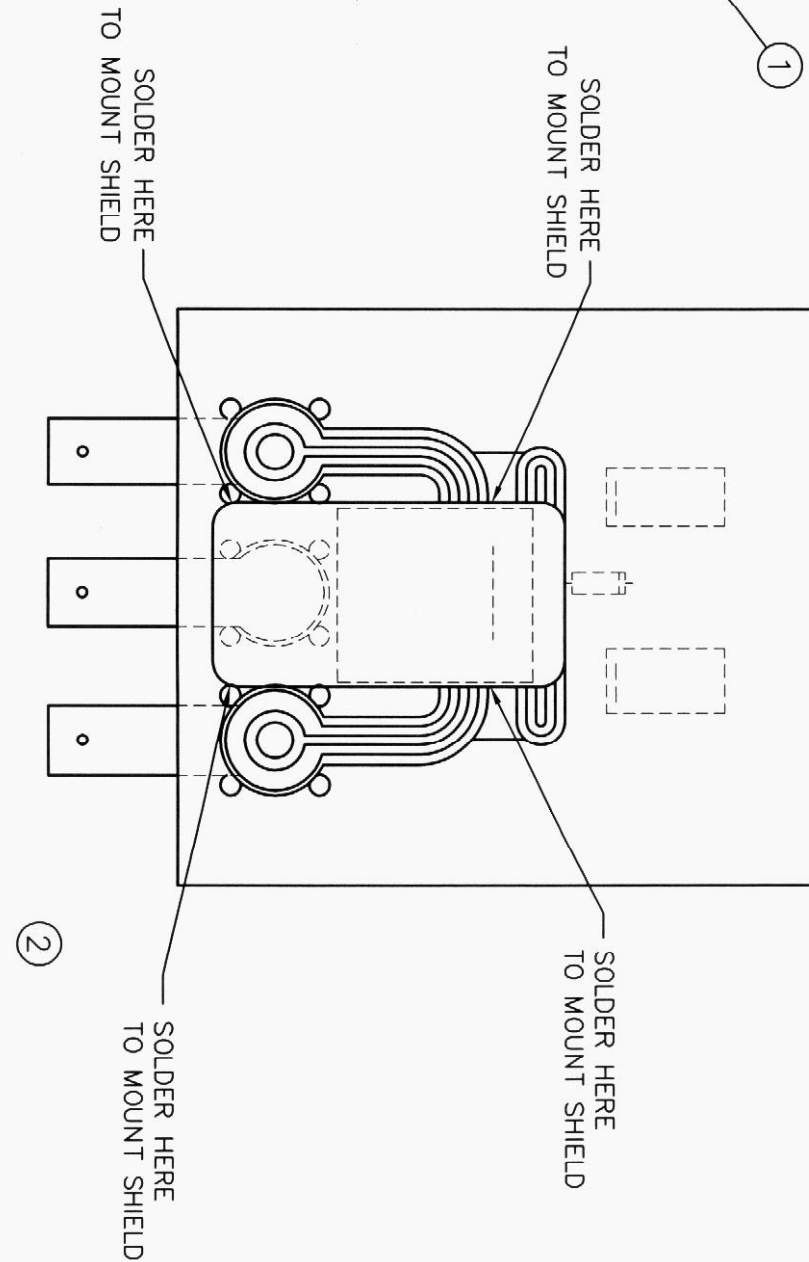
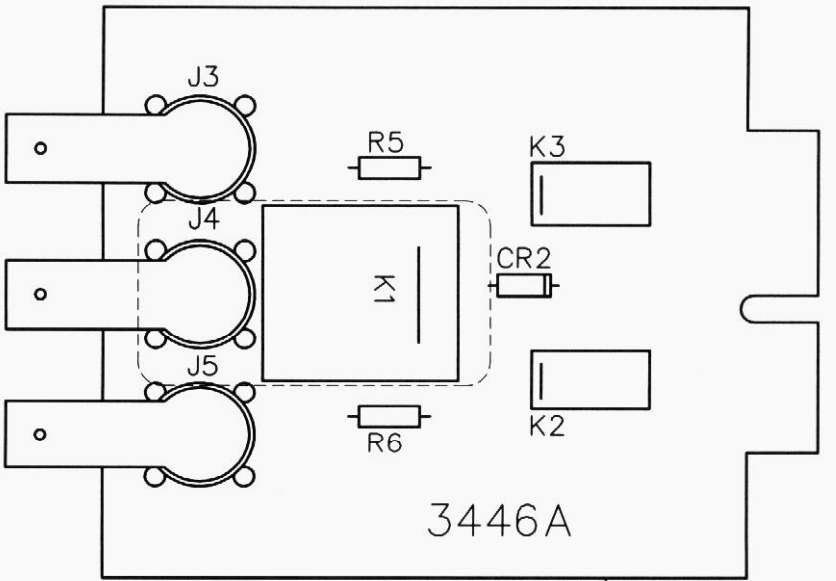
Description

The 3446A Audio/Video switch is a plug-in circuit card designed for 2x1 Audio follow video or IF/RF switching.

The 3446A is operated by a contact closure to ground. When the actuate line of the 3446A is connected to circuit common, the switch will energize for the duration of the switch closure.

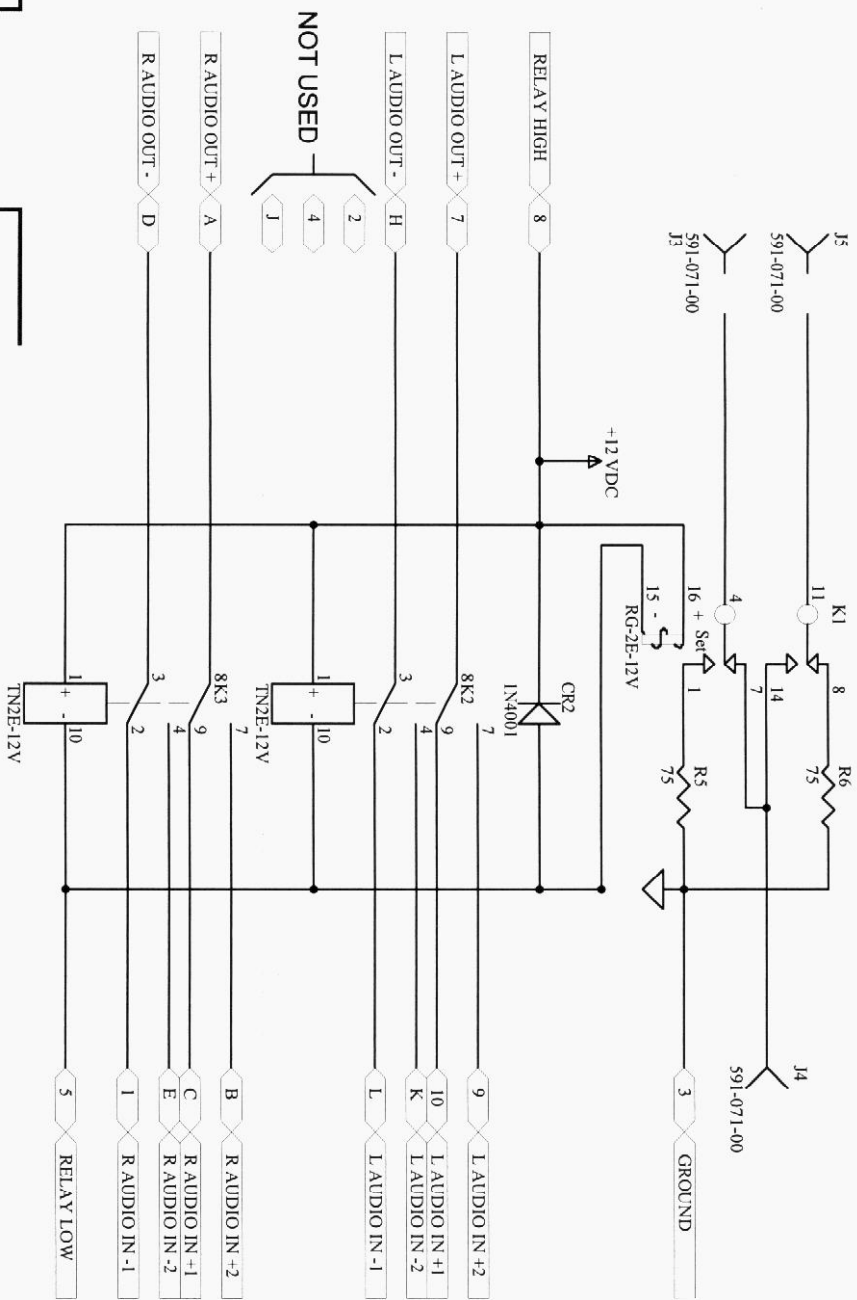


Board as viewed from ends of connectors



A	606	ADDED ITEM 2	DLB	KDH	EPF	12-17-98
REV	ECN NUMBER	DESCRIPTION	DRAWN	CHKD	ENGINEER	DATE
NEXT ASSEMBLY		SCALE	SHEET	1	OF	1
		DRAWN	DATE			
		KDH	7-7-98			
ELECTRONIC NAME		CHKD	DATE			
A_3446A_22		DLB	7-22-98			
COMPUTER NUMBER		APP'D	DATE			
1910489		EPF	8-5-98			
TOLERANCES UNLESS OTHERWISE SPECIFIED:			DRAWING NO.			
TWO PLACE DECIMAL ± .020			MODEL 3446A			
THREE PLACE DECIMAL ± .005			PCB SWITCH CARD STEREO V/V			
MATERIAL			3446A/22			
N.A.						

MONROE ELECTRONICS



NOT USED

CIRCUIT SIDE

COMPONENT SIDE

10 9 8 7 6 5 4 3 2 1
L K J H F E D C B A

AI1	606	J3-4 591-071-00 WAS 227161-1	DLB	KDH	EPF	12/17/98
A	516	SEE ECN AND ATTACHED SHEET	KDH	DLB	EPF	9-29-98
REV	ECN NUMBER	DESCRIPTION	DRAWN	CHKD	APP'D	DATE
NEXT ASSEMBLY 3446A/22		SCALE NTS	SHEET 1 OF 1			
DRAWN EPF		DATE 7/7/98				
ELECTRONIC NAME A1_3446A_1.SCH		CHKD DLB	DATE 7/7/98			
COMPUTER NUMBER		APPD EPF	DATE 8/5/98			
TOLERANCE UNLESS OTHERWISE SPECIFIED: TWO PLACE DECIMAL +/- .020 FRACTIONAL +/- 1/64 THREE PLACE DECIMAL +/- .005 ANGULAR +/- .1°			DRAWING NO.			
MATERIAL NA			3446A SCHEMATIC SWITCH CARD STEREO AV			
			3446A/1			



3446A SCHEMATIC
SWITCH CARD STEREO AV

3446A/1